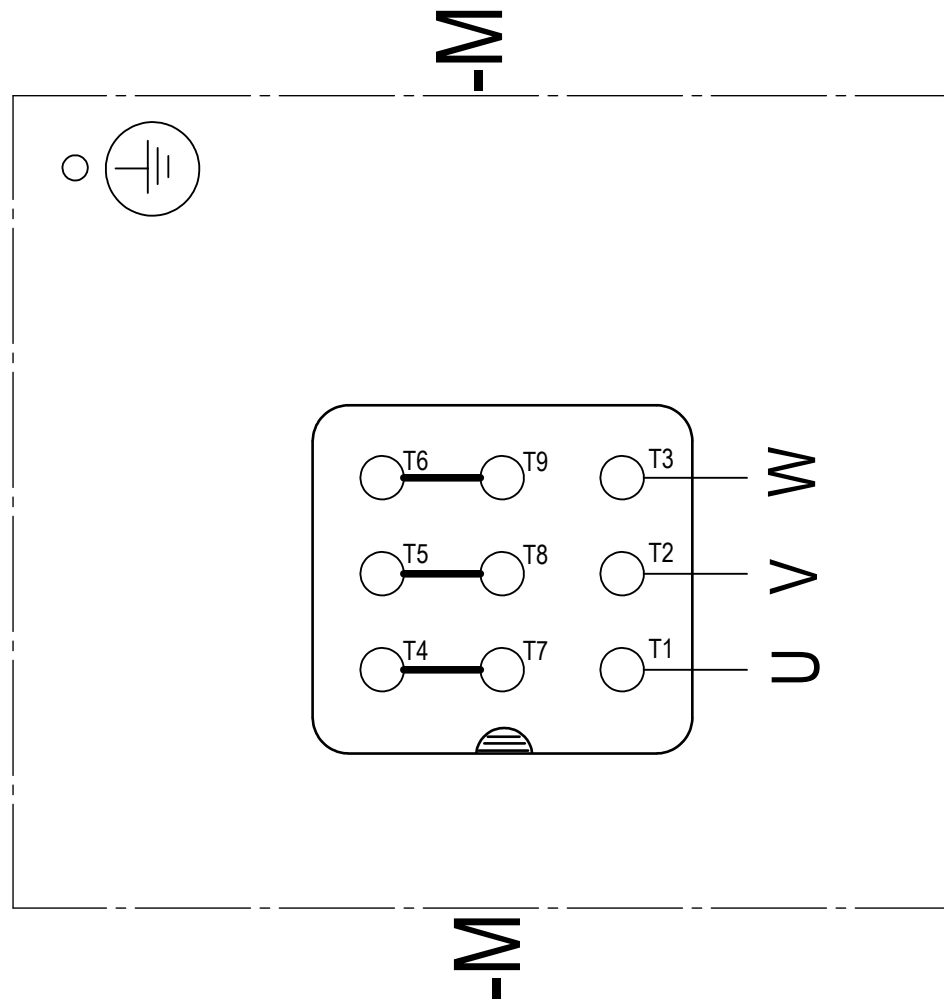


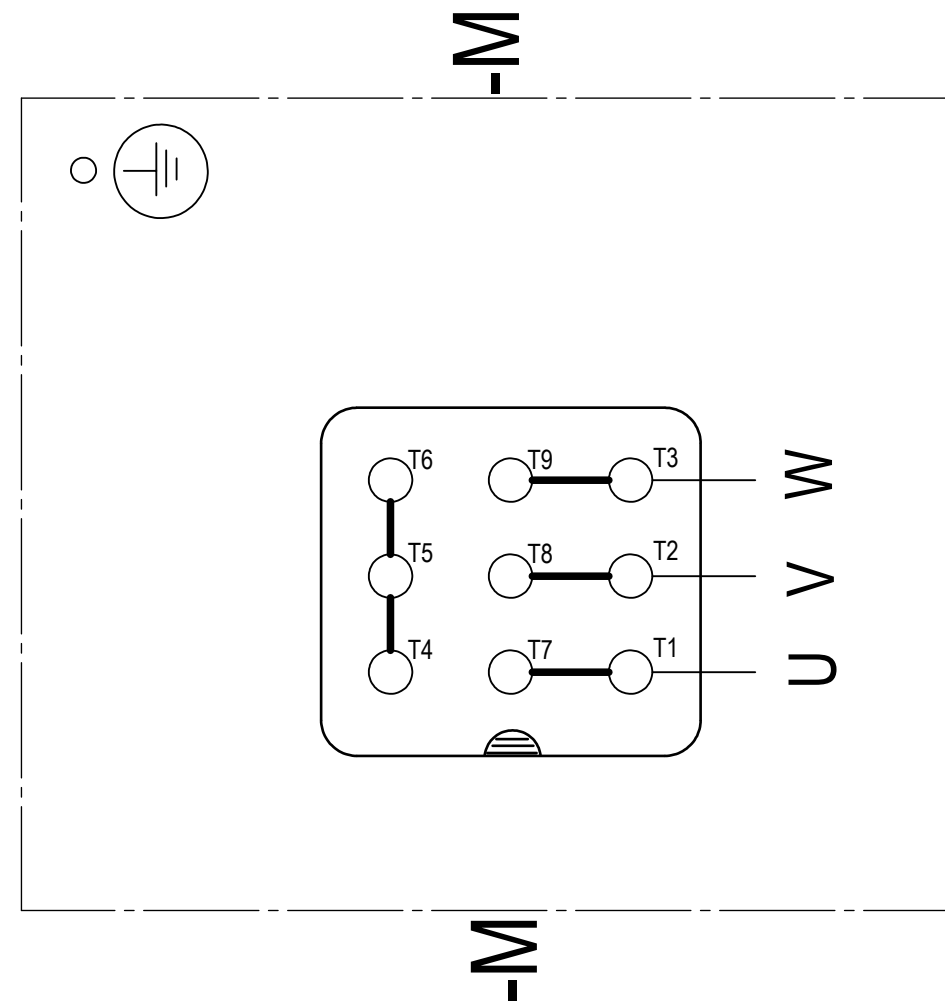
480 V Connection


T1=U T2=V T3=W



230 V Connection

T1=U T2=V T3=W



UNLESS OTHERWISE SPECIFIED:		NAME	DATE	 TRIUMPH <i>TNT</i> 1369284 Ontario Ltd 1709 Ridge Rd Oro-Medonte, ON, L0L2L0	
DIMENSIONS ARE IN in TOLERANCES UNLESS NOTED: ANGLES: ± 0.5° 0 ± 0.25 0.0 ± 0.125 0.00 ± 0.30 0.000 ± 0.008 0.0000 ± 0.0005		DRAWN	MBS		1 MAR 2022
BREAK SHARP EDGES 0.030"		CHECKED	VM		3 MAR 2022
MATERIAL	PROJECT:		TITLE:		
FINISH	230v/480v Wire Connection Instructions		SIZE DWG. NO. REV		
DO NOT SCALE DRAWING	PROPRIETARY AND CONFIDENTIAL THE INFORMATION CONTAINED IN THIS DRAWING IS THE SOLE PROPERTY OF TRIUMPH TNT. ANY REPRODUCTION IN PART OR AS A WHOLE WITHOUT WRITTEN PERMISSION IS PROHIBITED.		B Wiring Diagram rA		
	SCALE: 1:2	WGT:	SHEET 1 OF 1		